

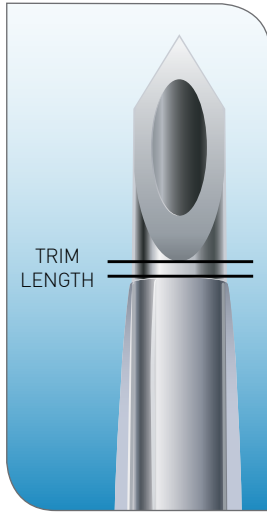
For New Users

For those users changing from:

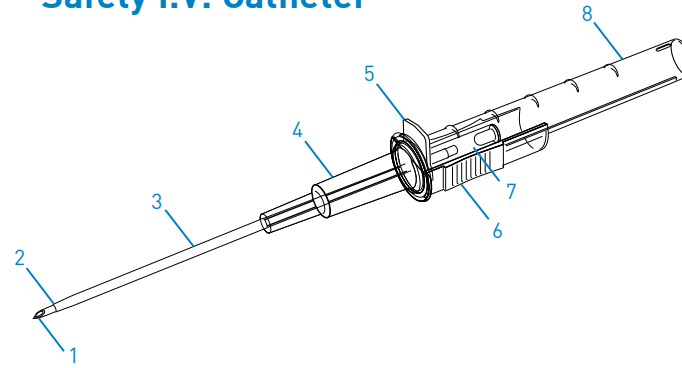
A a thick-walled I.V. catheter to any thin-walled design I.V. catheter – **OR** –

B an FEP Polymer I.V. catheter to any Polyurethane I.V. catheter, it is suggested that threading the catheter into the vein be completed before removing the needle.

This catheter tip diagram indicates the parameter known as TRIM LENGTH. This measurement varies from manufacturer to manufacturer and should be assessed whenever converting from one product to another.

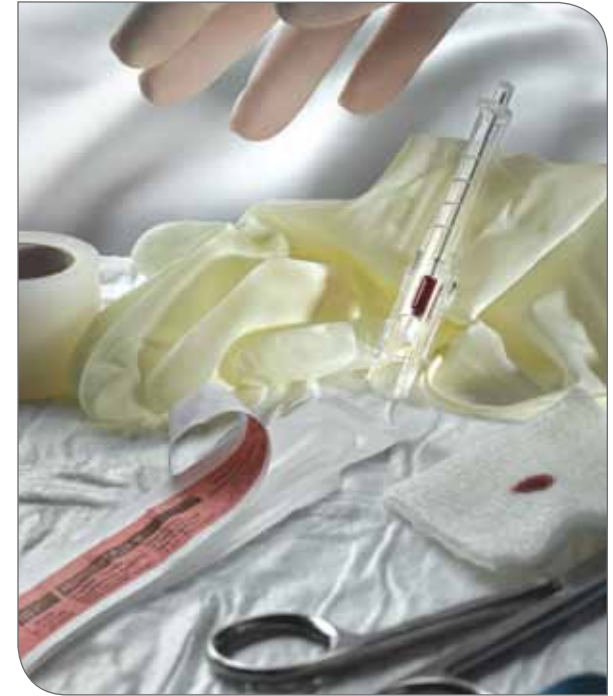


Anatomy of the PROTECTIV® Safety I.V. Catheter



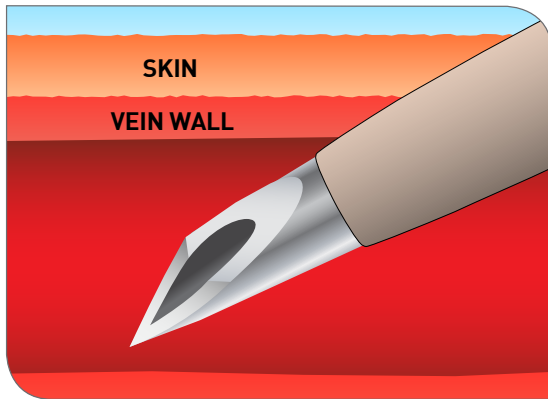
- | | |
|---------------------|--------------------------|
| 1 Introducer Needle | 5 Primary "Push-off" Tab |
| 2 Catheter Tip | 6 Grip Pads |
| 3 Catheter | 7 Flashback Chamber |
| 4 Catheter Hub | 8 Needle Guard |

PROTECTIV® Safety I.V. Catheter Insertion Guide



Catheter Advancement

- Catheter must be fully in the vein lumen before threading.
- After flashback, advance the catheter and the introducer needle as one unit another 3 – 5mm, depending on the size and depth of the vein and gauge size of the catheter, to ensure that the catheter is in the vein lumen before threading.
- Hold the catheter hub and needle guard as one unit to prevent inadvertent retraction of needle from catheter.



One- and Two-Handed Technique



THE DETAILS GIVEN IN THIS LEAFLET ARE CORRECT AT THE TIME OF GOING TO PRESS. THE COMPANY RESERVES THE RIGHT TO IMPROVE THE EQUIPMENT SHOWN.

Smiths Medical ASD, Inc.
Norwell, MA 02061, USA
Phone: 1-214-618-0218
Toll-Free USA: 1-800-258-5361

Smiths Medical Canada Ltd.
Markham, Ontario, Canada, L3R 4Y8
Phone: 905-477-2000
Toll-Free: 1-800-387-4346

www.smiths-medical.com

Smiths Medical is part of the global technology business Smiths Group plc.

Product(s) described may not be licensed or available for sale outside of the United States.

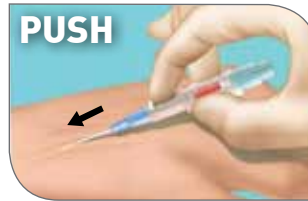
The Smiths Medical and Jelco design marks and PROTECTIV are trademarks of the Smiths Medical family of companies. The symbol ® indicates it is registered in the U.S. Patent and Trademark Office and certain other countries. ©2009 Smiths Medical family of companies. All rights reserved. VA514 2009.10

Guide for Successful Insertion

One-Handed Technique



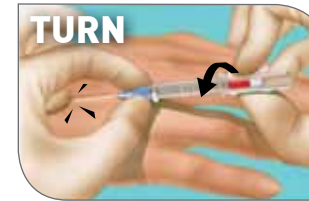
- Apply tourniquet and prepare site according to policy.
- Hold catheter by grip pads with thumb and fingers to insert needle into skin.
- Visually inspect to confirm that needle bevel and push-off tab are facing up.
- Anchor vein with gentle skin traction.
- Insert needle at appropriate angle.



- Observe for flashback.
- If needed, slightly advance catheter and needle together to achieve full catheter entry into vein lumen.
- Place index finger behind primary push-off tab and **PUSH** catheter to thread to desired length.
- **DO NOT REINSERT NEEDLE INTO CATHETER AT ANY TIME.**



- Stabilize device at push-off tab with index finger.
- Holding grip pads, **PULL** needle into needle guard until you hear a **CLICK**.
- THE "**CLICK**" AND VISUAL INSPECTION INDICATE THAT SAFETY DEVICE HAS ENGAGED SUCCESSFULLY.



- Remove tourniquet.
- Apply digital pressure beyond catheter tip.
- Hold catheter at hub and on grip pads.
- **TURN** either right or left to remove from hub.
- Connect Luer-lock or tubing to hub per manufacturer's recommendation.
- Secure connection with firm push and twist.
- Tape and dress according to policy.

Two-Handed Technique



- Apply tourniquet and prepare site according to policy.
- Hold catheter by grip pads with thumb and fingers to insert needle into skin.
- Visually inspect to confirm that needle bevel and push-off tab are facing up.
- Anchor vein with gentle skin traction.
- Insert needle at appropriate angle.



- Observe for flashback.
- If needed, slightly advance catheter and needle together to achieve full catheter entry into vein lumen.
- Place thumb of other hand behind primary push-off tab and **PUSH** catheter to thread to desired length.
- **DO NOT REINSERT NEEDLE INTO CATHETER AT ANY TIME.**



- Stabilize device at push-off tab with thumb.
- Holding grip pads, **PULL** needle into needle guard until you hear a **CLICK**.
- THE "**CLICK**" AND VISUAL INSPECTION INDICATE THAT SAFETY DEVICE HAS ENGAGED SUCCESSFULLY.



- Remove tourniquet.
- Apply digital pressure beyond catheter tip.
- Hold catheter at hub and on grip pads.
- **TURN** either right or left to remove from hub.
- Connect Luer-lock or tubing to hub per manufacturer's recommendation.
- Secure connection with firm push and twist.
- Tape and dress according to policy.